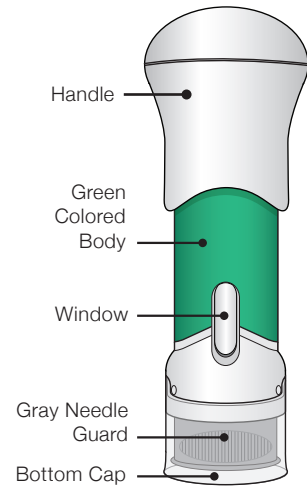


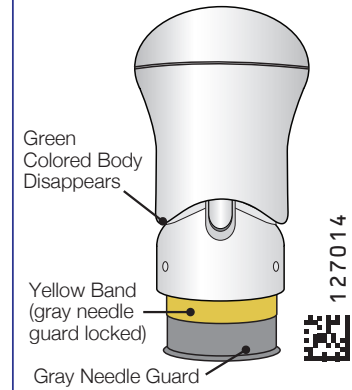
Quick Reference Guide

ACTHAR® GEL [AK-thar jel]
(repository corticotropin injection)
for subcutaneous use only
40 USP Units/0.5 mL
Single-Dose Pre-filled SelfJect™ Injector

Before use



After the Injection is Complete




Important Information

- The Acthar Gel single-dose pre-filled SelfJect injector is for under the skin (subcutaneous) injection only.

1. Read These Instructions

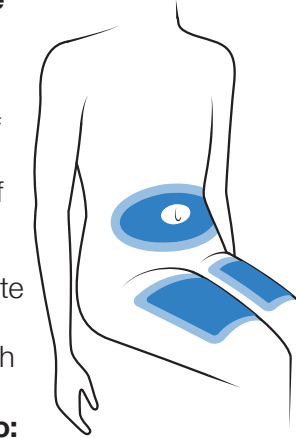
- Contact your healthcare provider if you are unsure of how to give the injection.
- This is not an auto-injector. The Handle must be pushed down by hand.
- This is a single-dose injector (for 1-time use only).
- The injector has a Needle Guard to protect you after use.

2. Prepare to Use the Acthar Gel single-dose pre-filled SelfJect Injector

- Take the injector out of the refrigerator and remove it from its injector tray to warm at room temperature for a minimum of 45 minutes. 
- Do not use the injector right after removing from the refrigerator.** The injector **does not** work as well when cold. **Do not** heat.
- Check the expiration date (EXP) on the package.
- Complete this injection in a clean, well-lit room.
- Gather alcohol swab, adhesive bandage, and a sharps disposal container.

3. Choose and Clean the Injection Site

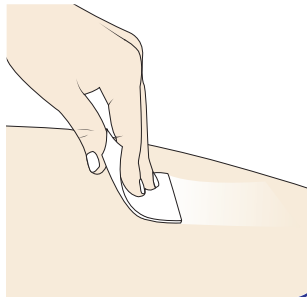
- For under the skin (subcutaneous) injection only.
- Choose 1 of these sites for injection:**
 - Upper thigh
 - Belly (abdomen), not within 1-inch of belly button (navel)
 - Back of arm (only if someone else is giving the injection)
- Choose a different site for each injection.
- Do not** inject through clothing.
- Avoid injecting into:**
 - Irritated skin (red, swollen, or painful)
 - Tattoos, warts, scars, or birthmarks
 - Within 1-inch of knee or groin area
 - Stretch marks



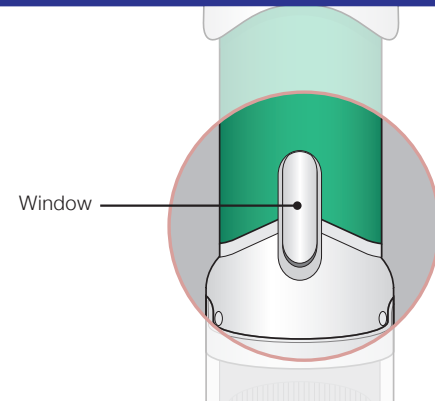
- Wash your hands well with soap and water.



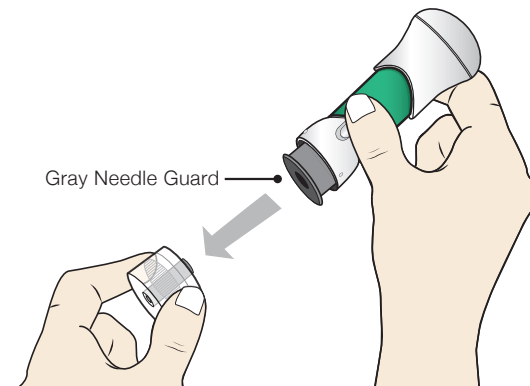
- Clean the injection site with an alcohol swab.



4. Inspect and Uncap

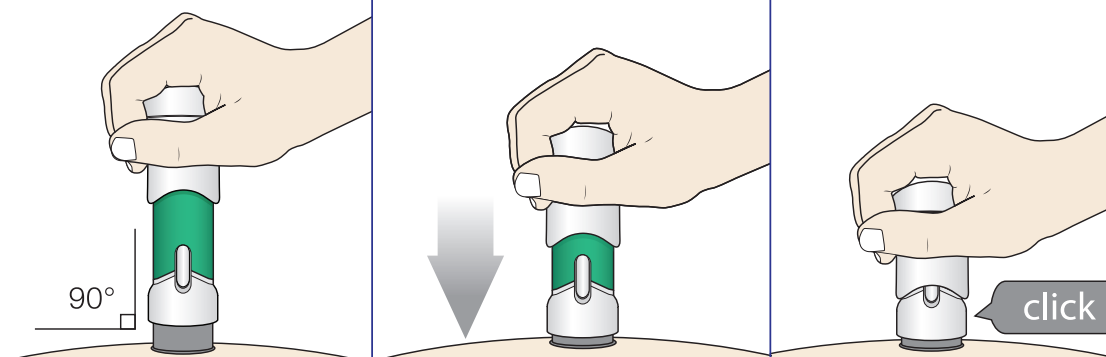


- Inspect the medicine in the Window. The medicine should be a clear light yellow or orange solution.
- Do not use** if the medicine is cloudy or you see particles.
- It is normal to see air bubbles.



- Pull Bottom Cap off to remove it and throw it away.
- Do not recap** the injector as this may damage the needle.
 - Avoid touching the Gray Needle Guard.
 - Use the injector right away.

5. Inject

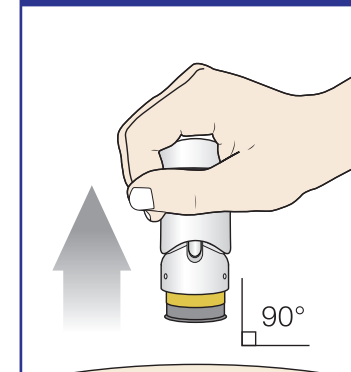


- (a) Place the injector straight on the cleaned skin at a 90-degree angle.**
- Do not pinch** the skin.

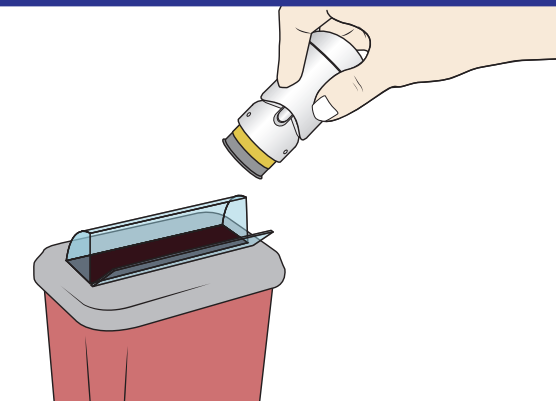
- (b) Slowly push down the Handle to inject the medicine.**
- Do not lift** the injector during the injection. You may hear a “click” when the injection begins.

- (c) The injection is complete when the Green Colored Body disappears and you may hear a “click.”**

6. Lift and Throw Away (Dispose of)



- Lift the injector straight up at a 90-degree angle off the injection site.
- The Needle Guard is locked when you see the yellow band.



- Place the injector in an approved sharps disposal container according to local regulations.**

- Do not** throw away (dispose of) in your household trash.